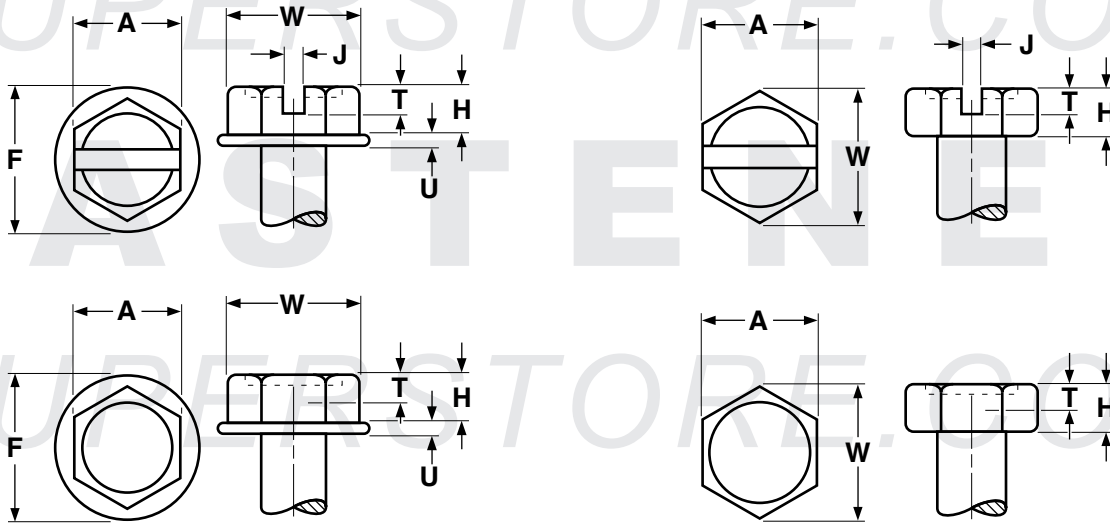


# Machine Screws Head Dimensions

Hex & Hex Washer  
Slotted & Unslotted



## HEX HEADS AND HEX WASHER HEADS FOR MACHINE SCREWS

ASME  
B18.6.3-2002

Nominal Size	A		W	H		F		U		J		T	
	Width Across Flats		Width Across Corners	Height of Head		Diameter of Washer		Thickness of Washer		Width of Slot		Depth of Slot	
	Max	Min	Min	Max	Min	Max	Min	Max	Min	Max	Min	Max	Min
2	.125	.120	.134	.050	.040	.166	.154	.016	.010	-	-	-	-
4	.188	.181	.202	.060	.049	.243	.225	.019	.011	.039	.031	.042	.025
5	.188	.181	.202	.070	.058	.260	.240	.025	.015	.043	.035	.049	.030
6	.250	.244	.272	.093	.080	.328	.302	.025	.015	.048	.039	.053	.033
8	.250	.244	.272	.110	.096	.348	.322	.031	.019	.054	.045	.074	.052
10	.312	.305	.340	.120	.105	.414	.384	.031	.019	.060	.050	.080	.057
12	.312	.305	.340	.155	.139	.432	.398	.039	.022	.067	.056	.103	.077
1/4	.375	.367	.409	.190	.172	.520	.480	.050	.030	.075	.064	.111	.083
5/16	.500	.489	.545	.230	.208	.676	.624	.055	.035	.084	.072	.134	.100
3/8	.562	.551	.614	.295	.270	.780	.720	.063	.037	.094	.081	.168	.131
1/2	.750	.735	.820	.400	.367	1.040	.960	.085	.050	-	-	-	-