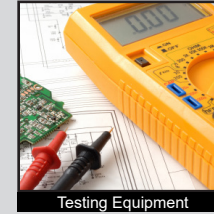


# R1966 SERIES ROCKER SWITCH

ANTI-VANDAL SWITCHES  
DETECTOR SWITCHES  
DIP SWITCHES  
KEYLOCK SWITCHES  
NAVIGATION SWITCHES  
PUSHBUTTON SWITCHES  
**ROCKER SWITCHES**  
ROTARY SWITCHES  
SLIDE SWITCHES  
SNAP ACTION SWITCHES  
TACTILE SWITCHES  
TOGGLE SWITCHES  
CAP OPTIONS



## APPLICATIONS / MARKETS



RoHS

## SPECIFICATIONS

### Contact Rating:

15A @ 125VAC UL, CUL

8A @ 250VAC UL, CUL

6A @ 250VAC VDE

**Contact Arrangement:** SPST, SPDT

**Electrical Life:** 10,000 cycles

**Mechanical Life:** 30,000 cycles

**Contact Resistance:** 20mΩ min. initial

**Insulation Resistance:** >1000 MΩ

**Dielectric Strength:** 1,500VAC for 1 minute

**Operating Temperature:** -30°C to 65°C

**Storage Temperature:** -30°C to 80°C

**Panel Thickness:** 0.7 - 3.0mm

## FEATURES & BENEFITS

- Agency approvals: cURus, VDE
- SPST and SPDT
- LED Illuminated options
- Multiple circuit functions
- Multiple termination options
- Actuator marking available

## PART NUMBER CONFIGURATOR

Series	Circuit	Housing Color	Actuator Color	Marking (see chart)	Termination	LED Color *
<input type="text" value="R"/> <input type="text" value="1"/> <input type="text" value="9"/> <input type="text" value="6"/> <input type="text" value="6"/>	<input type="text" value="A"/>	<input type="text" value="BLK"/> <input type="text" value="WHT"/> <input type="text" value="GRY"/>	<input type="text" value="BLK"/> <input type="text" value="RED"/> <input type="text" value="GRY"/> <input type="text" value="WHT"/>	<input type="text" value="A"/> B C D E F G H I	<input type="text" value="F"/> G S P R L	<input type="text" value="RED"/> GRN BLU YEL
R1966	A - SPST, On-Off C - SPDT, On-On D - SPDT, On-Off-On E - SPST, On-(Off) F - SPST, Off-(On) G - SPDT, On-(On) H - SPDT, On-Off-(On) I - SPDT, (On)-Off-(On)	BLK - Black WHT - White GRY - Gray	BLK - Black RED - Red GRY - Gray WHT - White		F - 0.187 QC .031 thk G - 0.187 QC .020 thk S - Solder lug P - PCB Pins R - Right Angle PCB Pins L - Left Angle PCB Pins	RED - Red GRN - Green BLU - Blue YEL - Yellow

### Notes:

\* LED Color option only available with the "A" circuit option

From the "A" circuit option with either the "R" or "L" terminal option, the LED terminals are solder lug terminals and are not bent in either the right or left angle terminal direction as the switch terminals. They protrude straight out from the switch body.

Specifications subject to change without notice



E-SWITCH®

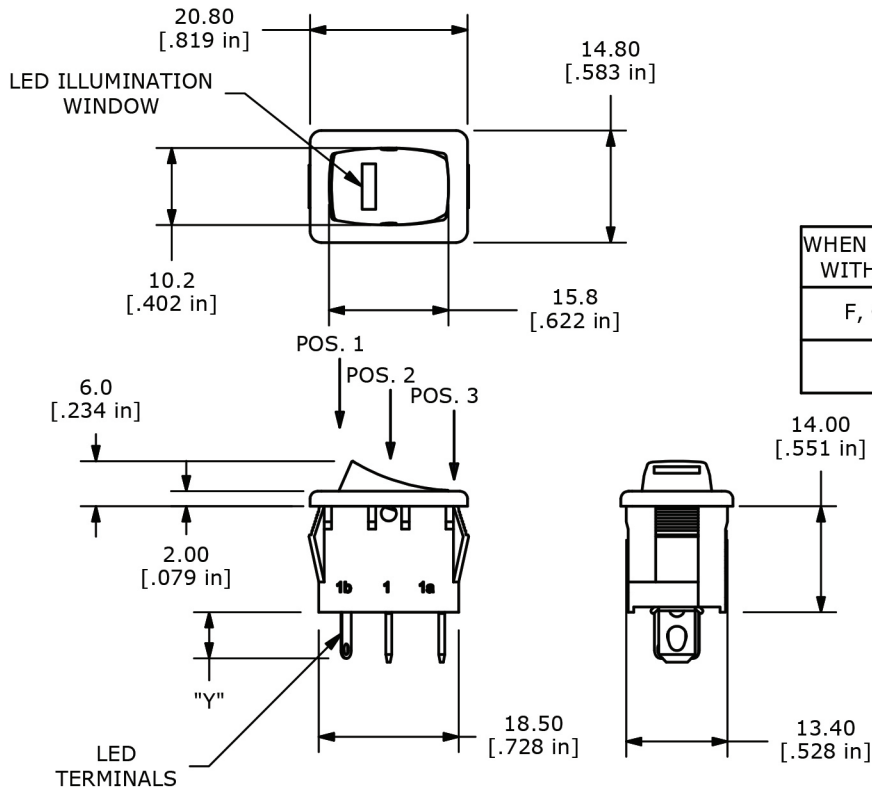
www.e-switch.com

800.867.2717

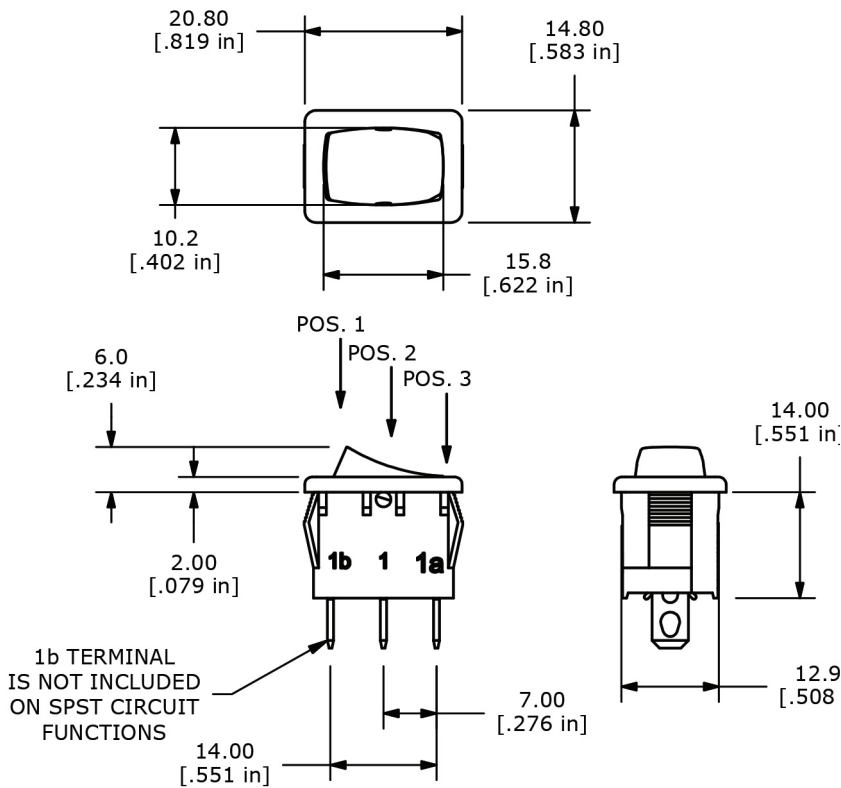
2

# R1966 SERIES ROCKER SWITCH

## BODY DIMENSIONS ILLUMINATED

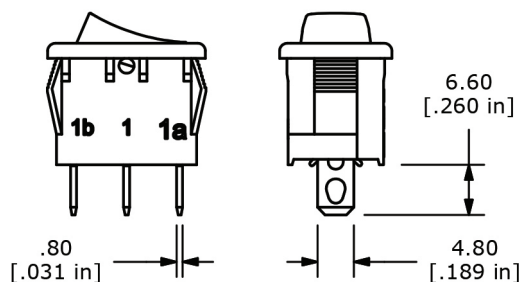


## BODY DIMENSIONS NON ILLUMINATED

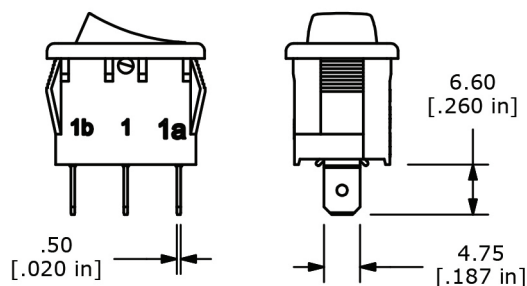


# R1966 SERIES ROCKER SWITCH

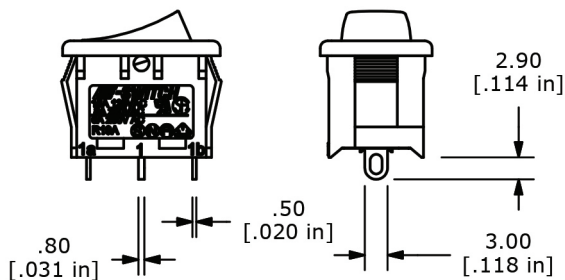
## TERMINATION OPTIONS



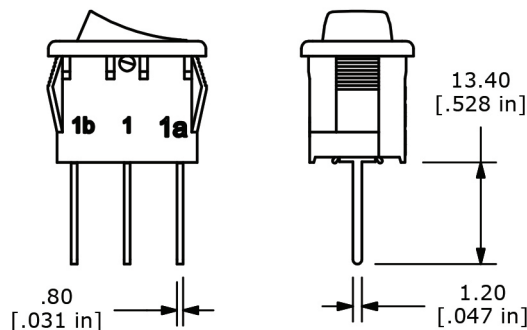
**"F" TERMINAL**



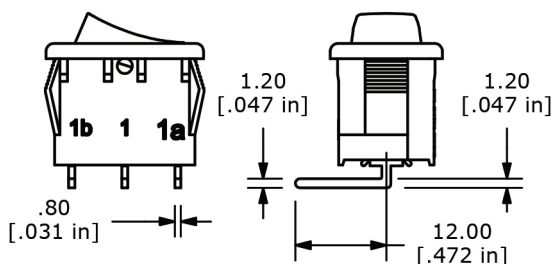
**"G" TERMINAL**



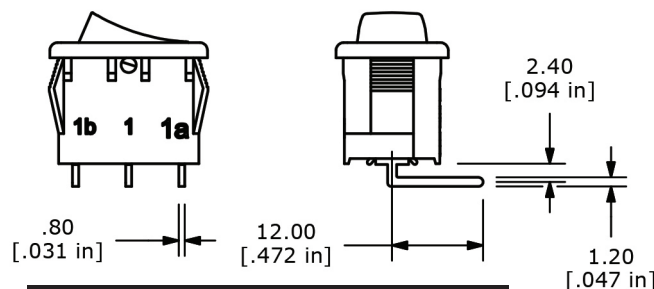
**"S" TERMINAL**



**"P" TERMINAL**

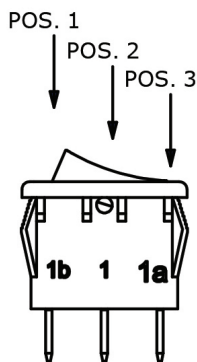


**"L" TERMINAL**



**"R" TERMINAL**

## FUNCTION CHART



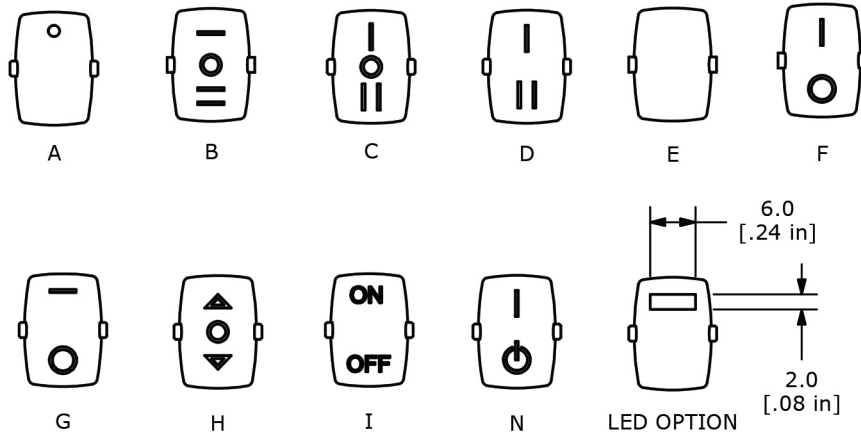
R1966 - SINGLE POLE TERMINAL CHART				
VERSION	FUNCTION OPTION	POS. 1	POS. 2	POS. 3
SPST	A - 1 POLE	ON	NONE	OFF
SPDT	C - 1 POLE	ON	NONE	ON
SPDT	D - 1 POLE	ON	OFF	ON
SPST	E - 1 POLE	ON	NONE	(OFF)
SPST	F - 1 POLE	OFF	NONE	(ON)
SPDT	G - 1 POLE	ON	NONE	(ON)
SPDT	H - 1 POLE	ON	OFF	(ON)
SPDT	I - 1 POLE	(ON)	OFF	(ON)
SPST	TERMINAL CLOSURE	1a-1	OPEN	N/A
SPDT	TERMINAL CLOSURE	1a-1	OPEN	1-1b

( ) DENOTES = MOMENTARY

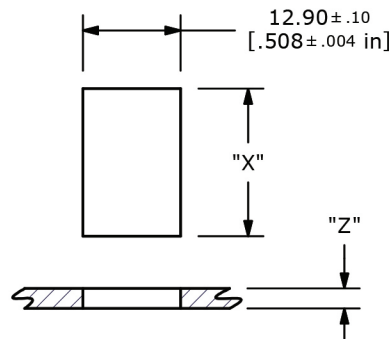
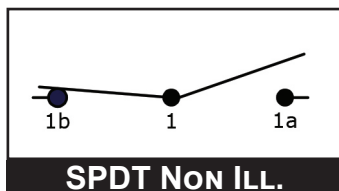
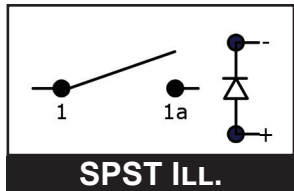
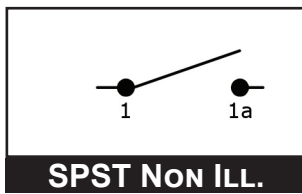
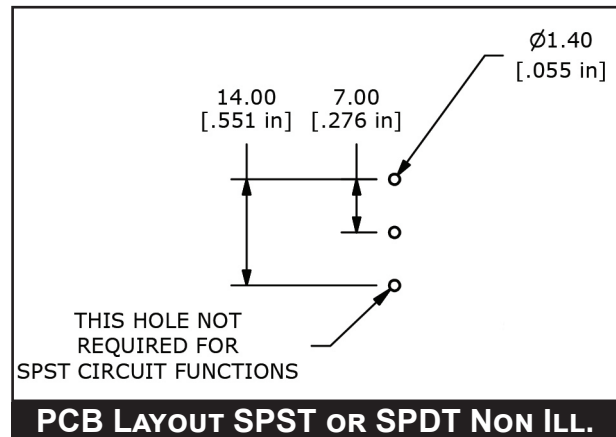
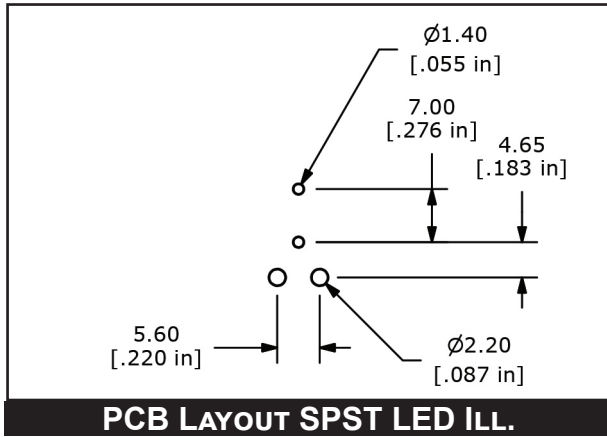


# R1966 SERIES ROCKER SWITCH

## MARKING OPTIONS



## SCHEMATICS & LAYOUTS



PANEL THICKNESS "Z"	DIM "X"
0.7 - 1.25 (0.03 - 0.05)	19.2/19.3 (0.755 - 0.760)
1.25 - 2.0 (0.50 - 0.08)	19.3/19.4 (0.760-0.764)
2.0 - 3.0 (0.08 - 0.12)	19.5/19.6 (0.768 - 0.772)



ANTI-VANDAL SWITCHES  
 DETECTOR SWITCHES  
 DIP SWITCHES  
 KEYLOCK SWITCHES  
 NAVIGATION SWITCHES  
 PUSHBUTTON SWITCHES  
 ROCKER SWITCHES  
 ROTARY SWITCHES  
 SLIDE SWITCHES  
 SNAP ACTION SWITCHES  
 TACTILE SWITCHES  
 TOGGLE SWITCHES  
 CAP OPTIONS

# Mouser Electronics

Authorized Distributor

Click to View Pricing, Inventory, Delivery & Lifecycle Information:

## E-Switch:

[R1966IBLKBLKHF](#) [R1966DBLKBLKEF](#) [R1966DWHTWHTES](#) [R1966DBLKBLKCF](#) [R1966FBLKBLKGF](#)  
[R1966ABLKBLKFR](#) [R1966ABLKBLKEFYEL](#) [R1966FBLKBLKFP](#) [R1966FBLKBLKEF](#) [R1966ABLKBLKESYEL](#)  
[R1966ABLKBLKGF](#) [R1966AGRYGRYGF](#) [R1966AWHTWHTGF](#) [R1966AGRYGRYFF](#) [R1966ABLKBLKERED](#)  
[R1966ABLKBLKESGRN](#) [R1966ABLKBLKGR](#) [R1966ABLKWHTTEFGRN](#) [R1966IBLKBLKEF](#) [R1966IGRYGRYEF](#)  
[R1966ABLKBLKES](#) [R1966ABLKBLKEF](#) [R1966ABLKBLKIS](#) [R1966ABLKBLKESRED](#) [R1966ABLKBLKEFRED](#)  
[R1966ABLKBLKGL](#) [R1966AWHTWHTFF](#) [R1966ABLKBLKEFGRN](#) [R1966ABLKBLKFF](#) [R1966ABLKBLKFS](#)  
[R1966ABLKBLKGS](#) [R1966ABLKBLKIF](#) [R1966AWHTWHTTEFGRN](#) [R1966FBLKBLKES](#) [R1966DBLKBLKIF](#)  
[R1966ABLKBLKEP](#) [R1966IBLKBLKHS](#) [R1966IBLKBLKHR](#) [R1966FBLKBLKIF](#) [R1966FBLKREDAF](#)  
[R1966ABLKBLKEGGRN](#) [R1966AGRYGRYEFGRN](#) [R1966HBLKBLKBF](#) [R1966HBLKBLKEF](#) [R1966IBLKBLKEP](#)  
[R1966FBLKBLKAG](#) [R1966EBLKBLKAS](#) [R1966EBLKBLKEF](#) [R1966EBLKREDEF](#) [R1966FBLKBLKAF](#)  
[R1966FBLKBLKAP](#) [R1966FBLKBLKAR](#) [R1966FBLKBLKEP](#) [R1966FBLKBLKFF](#) [R1966FBLKBLKFS](#)  
[R1966FBLKBLKGS](#) [R1966FBLKREDEF](#) [R1966FWHTWHTAF](#) [R1966GBLKBLKES](#) [R1966GBLKBLKFR](#)  
[R1966GBLKGRYEF](#) [R1966GBLKREDEF](#) [R1966HBLKBLKBR](#) [R1966HBLKBLKCF](#) [R1966HBLKBLKEL](#)  
[R1966HBLKBLKES](#) [R1966HWHTWHTTEF](#) [R1966IBLKBLKAF](#) [R1966IBLKBLKBF](#) [R1966IBLKBLKBR](#)  
[R1966IBLKBLKES](#) [R1966IBLKBLKFR](#) [R1966IBLKBLKHP](#) [R1966IBLKBLKIF](#) [R1966IBLKREDEF](#) [R1966IBLKREDES](#)  
[R1966IBLKREDHP](#) [R1966IBLKWHTES](#) [R1966IWHTWHTBF](#) [R1966IWHTWHTTEF](#) [R1966RUBBERSEAL](#)  
[R1966ABLKBLKAF](#) [R1966ABLKBLKDF](#) [R1966ABLKBLKEGRED](#) [R1966ABLKBLKEPGRN](#) [R1966ABLKBLKEPRED](#)  
[R1966ABLKBLKEPYEL](#) [R1966ABLKBLKER](#) [R1966ABLKBLKIP](#) [R1966ABLKBLKLF](#) [R1966ABLKGRYEPGRN](#)  
[R1966ABLKREDEFGRN](#) [R1966ABLKREDEFRED](#) [R1966ABLKREDESRED](#) [R1966ABLKREDFG](#) [R1966ABLKREDIF](#)  
[R1966ABLKREDIG](#) [R1966ABLKWHTTEFRED](#) [R1966ABLKWHTTEPGRN](#) [R1966ABLKWHTES](#)