

Radial Lead Type

Series : **NHG** Type : **A**



Features

- Endurance : 105 °C 1000 h to 2000 h
- RoHS compliant

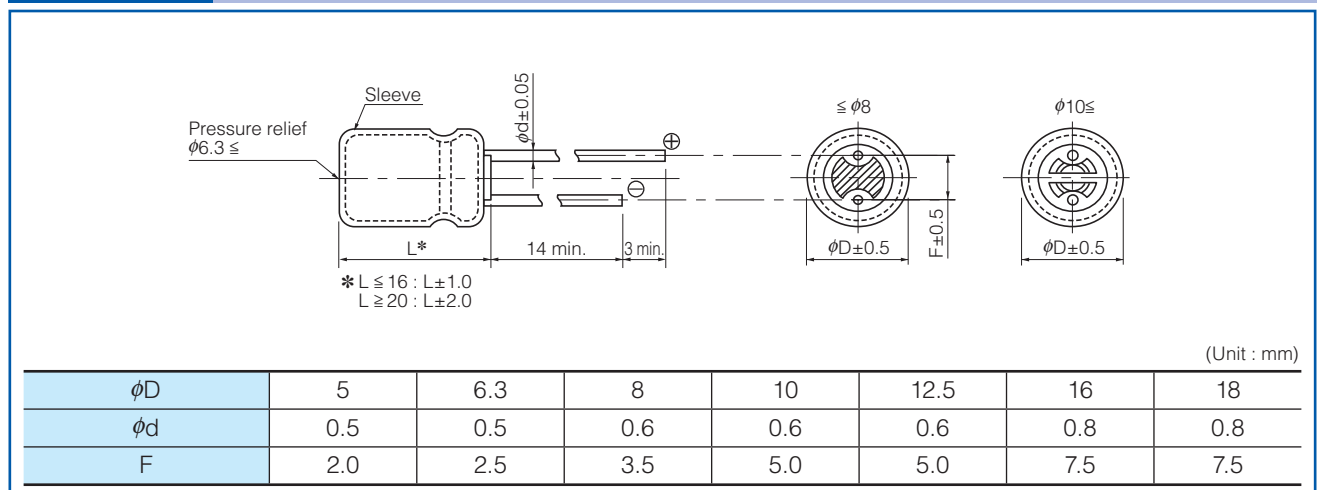
Specifications

| | | |
|----------------------------|--|---------------------------------------|
| Category temperature range | -55 °C to +105 °C | -25 °C to +105 °C |
| Rated voltage range | 6.3 V.DC to 100 V.DC | 160 V.DC to 450 V.DC |
| Capacitance range | 2.2 μF to 22000 μF | 2.2 μF to 330 μF |
| Capacitance tolerance | ±20 % (120 Hz/+20 °C) | |
| Leakage current | I ≤ 0.01 CV or 3 (μA) After 2 minutes (Which is greater) | I ≤ 0.06 CV + 10 (μA) After 2 minutes |
| Dissipation factor (tan δ) | Please see the attached characteristics list | |
| Endurance | After following life test with DC voltage and +105 °C±2 °C ripple current value applied (The sum of DC and ripple peak voltage shall not exceed the rated working voltage), When the capacitors are restored to 20 °C, the capacitors shall meet the limits specified below. | |
| | Duration : 6.3 V.DC to 100 V.DC : (φ5 to φ8)=1000 hours, (φ10 to φ18)=2000 hours 160 V.DC to 450 V.DC : 2000 hours | |
| | Capacitance change | Within ±20 % of the initial value |
| | tan δ | ≤ 200 % of the initial limit |
| Shelf life | After storage for 1000 hours at +105 °C±2 °C with no voltage applied and then being stabilized at +20 °C, capacitors shall meet the limits specified in Endurance. (With voltage treatment) | |
| | DC leakage current | Within the initial limit |

Frequency correction factor for ripple current

| Rated voltage (V.DC) | Capacitance (μF) | Frequency (Hz) | | | | |
|----------------------|------------------|----------------|------|------|------|-------|
| | | 60 | 120 | 1 k | 10 k | 100 k |
| 6.3 to 100 | 2.2 to 33 | 0.75 | 1.00 | 1.55 | 1.80 | 2.00 |
| | 47 to 470 | 0.80 | 1.00 | 1.35 | 1.50 | 1.50 |
| | 1000 to 22000 | 0.85 | 1.00 | 1.10 | 1.15 | 1.15 |
| 160 to 450 | 2.2 to 330 | 0.80 | 1.00 | 1.35 | 1.50 | 1.50 |

Dimensions



Characteristics list

| Rated voltage (V.DC) | Cap. (±20 %) (μF) | Case size (mm) | | Specification | | | Lead length (mm) | | | Part No. | Min. Packaging Qty | | |
|----------------------|-------------------|----------------|------|---|-------------------------|-------------------|------------------|------------|-----------|----------|----------------------|--------------|-----------|
| | | φD | L | Ripple current (120 Hz) (+105 °C) (mA r.m.s.) | tan δ (120 Hz) (+20 °C) | Endurance (hours) | Lead dia. φd | Lead space | | | Straight leads (pcs) | Taping (pcs) | |
| | | | | | | | | Straight | Taping *B | | | | Taping *i |
| 6.3 | 220 | 5 | 11 | 140 | 0.28 | 1000 | 0.5 | 2.0 | 5.0 | 2.5 | ECA0JHG221() | 200 | 2000 |
| | 470 | 6.3 | 11.2 | 230 | 0.28 | 1000 | 0.5 | 2.5 | 5.0 | 2.5 | ECA0JHG471() | 200 | 2000 |
| | 1000 | 8 | 11.5 | 380 | 0.28 | 1000 | 0.6 | 3.5 | 5.0 | | ECA0JHG102() | 200 | 1000 |
| | 2200 | 10 | 16 | 710 | 0.30 | 2000 | 0.6 | 5.0 | 5.0 | | ECA0JHG222() | 200 | 500 |
| | 3300 | 10 | 20 | 840 | 0.32 | 2000 | 0.6 | 5.0 | 5.0 | | ECA0JHG332() | 200 | 500 |
| | 4700 | 12.5 | 20 | 1090 | 0.34 | 2000 | 0.6 | 5.0 | 5.0 | | ECA0JHG472() | 200 | 500 |
| | 6800 | 12.5 | 25 | 1350 | 0.38 | 2000 | 0.6 | 5.0 | 5.0 | | ECA0JHG682() | 200 | 500 |
| | 10000 | 16 | 25 | 1650 | 0.46 | 2000 | 0.8 | 7.5 | 7.5 | | ECA0JHG103() | 100 | 250 |
| | 15000 | 16 | 31.5 | 2010 | 0.56 | 2000 | 0.8 | 7.5 | | | ECA0JHG153 | 100 | |
| | 22000 | 18 | 35.5 | 2350 | 0.70 | 2000 | 0.8 | 7.5 | | | ECA0JHG223 | 50 | |
| 10 | 330 | 6.3 | 11.2 | 200 | 0.24 | 1000 | 0.5 | 2.5 | 5.0 | 2.5 | ECA1AHG331() | 200 | 2000 |
| | 470 | 8 | 11.5 | 250 | 0.24 | 1000 | 0.6 | 3.5 | 5.0 | | ECA1AHG471() | 200 | 1000 |
| | 1000 | 10 | 12.5 | 460 | 0.24 | 2000 | 0.6 | 5.0 | 5.0 | | ECA1AHG102() | 200 | 500 |
| | 2200 | 10 | 20 | 760 | 0.26 | 2000 | 0.6 | 5.0 | 5.0 | | ECA1AHG222() | 200 | 500 |
| | 3300 | 12.5 | 20 | 1000 | 0.28 | 2000 | 0.6 | 5.0 | 5.0 | | ECA1AHG332() | 200 | 500 |
| | 4700 | 12.5 | 25 | 1260 | 0.30 | 2000 | 0.6 | 5.0 | 5.0 | | ECA1AHG472() | 200 | 500 |
| | 6800 | 16 | 25 | 1570 | 0.34 | 2000 | 0.8 | 7.5 | 7.5 | | ECA1AHG682() | 100 | 250 |
| | 10000 | 16 | 31.5 | 1890 | 0.42 | 2000 | 0.8 | 7.5 | | | ECA1AHG103 | 100 | |
| | 15000 | 18 | 35.5 | 2180 | 0.52 | 2000 | 0.8 | 7.5 | | | ECA1AHG153 | 50 | |
| 16 | 100 | 5 | 11 | 110 | 0.20 | 1000 | 0.5 | 2.0 | 5.0 | 2.5 | ECA1CHG101() | 200 | 2000 |
| | 220 | 6.3 | 11.2 | 180 | 0.20 | 1000 | 0.5 | 2.5 | 5.0 | 2.5 | ECA1CHG221() | 200 | 2000 |
| | 330 | 8 | 11.5 | 260 | 0.20 | 1000 | 0.6 | 3.5 | 5.0 | | ECA1CHG331() | 200 | 1000 |
| | 470 | 8 | 11.5 | 310 | 0.20 | 1000 | 0.6 | 3.5 | 5.0 | | ECA1CHG471() | 200 | 1000 |
| | 1000 | 10 | 16 | 560 | 0.20 | 2000 | 0.6 | 5.0 | 5.0 | | ECA1CHG102() | 200 | 500 |
| | 2200 | 12.5 | 20 | 920 | 0.22 | 2000 | 0.6 | 5.0 | 5.0 | | ECA1CHG222() | 200 | 500 |
| | 3300 | 12.5 | 25 | 1170 | 0.24 | 2000 | 0.6 | 5.0 | 5.0 | | ECA1CHG332() | 200 | 500 |
| | 4700 | 16 | 25 | 1480 | 0.26 | 2000 | 0.8 | 7.5 | 7.5 | | ECA1CHG472() | 100 | 250 |
| | 6800 | 16 | 31.5 | 1780 | 0.30 | 2000 | 0.8 | 7.5 | | | ECA1CHG682 | 100 | |
| | 10000 | 18 | 35.5 | 2060 | 0.38 | 2000 | 0.8 | 7.5 | | | ECA1CHG103 | 50 | |
| 25 | 47 | 5 | 11 | 91 | 0.16 | 1000 | 0.5 | 2.0 | 5.0 | 2.5 | ECA1EHG470() | 200 | 2000 |
| | 100 | 6.3 | 11.2 | 130 | 0.16 | 1000 | 0.5 | 2.5 | 5.0 | 2.5 | ECA1EHG101() | 200 | 2000 |
| | 220 | 8 | 11.5 | 230 | 0.16 | 1000 | 0.6 | 3.5 | 5.0 | | ECA1EHG221() | 200 | 1000 |
| | 330 | 8 | 11.5 | 310 | 0.16 | 1000 | 0.6 | 3.5 | 5.0 | | ECA1EHG331() | 200 | 1000 |
| | 470 | 10 | 12.5 | 380 | 0.16 | 2000 | 0.6 | 5.0 | 5.0 | | ECA1EHG471() | 200 | 500 |
| | 1000 | 10 | 20 | 680 | 0.16 | 2000 | 0.6 | 5.0 | 5.0 | | ECA1EHG102() | 200 | 500 |
| | 2200 | 12.5 | 25 | 1090 | 0.18 | 2000 | 0.6 | 5.0 | 5.0 | | ECA1EHG222() | 200 | 500 |
| | 3300 | 16 | 25 | 1400 | 0.20 | 2000 | 0.8 | 7.5 | 7.5 | | ECA1EHG332() | 100 | 250 |
| | 4700 | 16 | 31.5 | 1750 | 0.22 | 2000 | 0.8 | 7.5 | | | ECA1EHG472 | 100 | |
| | 6800 | 18 | 35.5 | 2040 | 0.26 | 2000 | 0.8 | 7.5 | | | ECA1EHG682 | 50 | |
| 35 | 47 | 5 | 11 | 90 | 0.14 | 1000 | 0.5 | 2.0 | 5.0 | 2.5 | ECA1VHG470() | 200 | 2000 |
| | 100 | 6.3 | 11.2 | 150 | 0.14 | 1000 | 0.5 | 2.5 | 5.0 | 2.5 | ECA1VHG101() | 200 | 2000 |
| | 220 | 8 | 11.5 | 270 | 0.14 | 1000 | 0.6 | 3.5 | 5.0 | | ECA1VHG221() | 200 | 1000 |
| | 330 | 10 | 12.5 | 350 | 0.14 | 2000 | 0.6 | 5.0 | 5.0 | | ECA1VHG331() | 200 | 500 |
| | 470 | 10 | 16 | 460 | 0.14 | 2000 | 0.6 | 5.0 | 5.0 | | ECA1VHG471() | 200 | 500 |
| | 1000 | 12.5 | 20 | 810 | 0.14 | 2000 | 0.6 | 5.0 | 5.0 | | ECA1VHG102() | 200 | 500 |
| | 2200 | 16 | 25 | 1260 | 0.16 | 2000 | 0.8 | 7.5 | 7.5 | | ECA1VHG222() | 100 | 250 |
| | 3300 | 16 | 31.5 | 1610 | 0.18 | 2000 | 0.8 | 7.5 | | | ECA1VHG332 | 100 | |
| | 4700 | 18 | 35.5 | 1910 | 0.20 | 2000 | 0.8 | 7.5 | | | ECA1VHG472 | 50 | |

· When requesting taped product, please put the letter "B" or "i" between the "()". Lead wire pitch *B=5 mm, 7.5 mm, i=2.5 mm.

· Please refer to the page of "Taping dimensions".

Characteristics list

| Rated voltage (V.DC) | Cap. (±20 %) (μF) | Case size (mm) | | Specification | | | Lead length (mm) | | | Part No. | Min. Packaging Q'ty | | |
|----------------------|-------------------|----------------|------|---|-------------------------|-------------------|------------------|------------|-----------|------------|----------------------|--------------|-----------|
| | | φD | L | Ripple current (120 Hz) (+105 °C) (mA r.m.s.) | tan δ (120 Hz) (+20 °C) | Endurance (hours) | Lead dia. φd | Lead space | | | Straight leads (pcs) | Taping (pcs) | |
| | | | | | | | | Straight | Taping *B | | | | Taping *i |
| 50 | 2.2 | 5 | 11 | 18 | 0.12 | 1000 | 0.5 | 2.0 | 5.0 | 2.5 | ECA1HHG2R2() | 200 | 2000 |
| | 3.3 | 5 | 11 | 22 | 0.12 | 1000 | 0.5 | 2.0 | 5.0 | 2.5 | ECA1HHG3R3() | 200 | 2000 |
| | 4.7 | 5 | 11 | 26 | 0.12 | 1000 | 0.5 | 2.0 | 5.0 | 2.5 | ECA1HHG4R7() | 200 | 2000 |
| | 10 | 5 | 11 | 39 | 0.12 | 1000 | 0.5 | 2.0 | 5.0 | 2.5 | ECA1HHG100() | 200 | 2000 |
| | 22 | 5 | 11 | 65 | 0.12 | 1000 | 0.5 | 2.0 | 5.0 | 2.5 | ECA1HHG220() | 200 | 2000 |
| | 33 | 5 | 11 | 90 | 0.12 | 1000 | 0.5 | 2.0 | 5.0 | 2.5 | ECA1HHG330() | 200 | 2000 |
| | 47 | 6.3 | 11.2 | 110 | 0.12 | 1000 | 0.5 | 2.5 | 5.0 | 2.5 | ECA1HHG470() | 200 | 2000 |
| | 100 | 8 | 11.5 | 180 | 0.12 | 1000 | 0.6 | 3.5 | 5.0 | | ECA1HHG101() | 200 | 1000 |
| | 220 | 10 | 12.5 | 300 | 0.12 | 2000 | 0.6 | 5.0 | 5.0 | | ECA1HHG221() | 200 | 500 |
| | 330 | 10 | 16 | 410 | 0.12 | 2000 | 0.6 | 5.0 | 5.0 | | ECA1HHG331() | 200 | 500 |
| | 470 | 10 | 20 | 530 | 0.12 | 2000 | 0.6 | 5.0 | 5.0 | | ECA1HHG471() | 200 | 500 |
| | 1000 | 12.5 | 25 | 950 | 0.12 | 2000 | 0.6 | 5.0 | 5.0 | | ECA1HHG102() | 200 | 500 |
| | 2200 | 16 | 31.5 | 1470 | 0.14 | 2000 | 0.8 | 7.5 | | | ECA1HHG222 | 100 | |
| 3300 | 18 | 35.5 | 1770 | 0.16 | 2000 | 0.8 | 7.5 | | | ECA1HHG332 | 50 | | |
| 63 | 10 | 5 | 11 | 46 | 0.10 | 1000 | 0.5 | 2.0 | 5.0 | 2.5 | ECA1JHG100() | 200 | 2000 |
| | 22 | 5 | 11 | 71 | 0.10 | 1000 | 0.5 | 2.0 | 5.0 | 2.5 | ECA1JHG220() | 200 | 2000 |
| | 33 | 6.3 | 11.2 | 100 | 0.10 | 1000 | 0.5 | 2.5 | 5.0 | 2.5 | ECA1JHG330() | 200 | 2000 |
| | 47 | 6.3 | 11.2 | 120 | 0.10 | 1000 | 0.5 | 2.5 | 5.0 | 2.5 | ECA1JHG470() | 200 | 2000 |
| | 100 | 10 | 12.5 | 215 | 0.10 | 2000 | 0.6 | 5.0 | 5.0 | | ECA1JHG101() | 200 | 500 |
| | 220 | 10 | 16 | 335 | 0.10 | 2000 | 0.6 | 5.0 | 5.0 | | ECA1JHG221() | 200 | 500 |
| | 330 | 10 | 20 | 510 | 0.10 | 2000 | 0.6 | 5.0 | 5.0 | | ECA1JHG331() | 200 | 500 |
| | 470 | 12.5 | 20 | 640 | 0.10 | 2000 | 0.6 | 5.0 | 5.0 | | ECA1JHG471() | 200 | 500 |
| | 1000 | 16 | 25 | 930 | 0.10 | 2000 | 0.8 | 7.5 | 7.5 | | ECA1JHG102() | 100 | 250 |
| 2200 | 18 | 35.5 | 1610 | 0.12 | 2000 | 0.8 | 7.5 | | | ECA1JHG222 | 50 | | |
| 100 | 2.2 | 5 | 11 | 21 | 0.08 | 1000 | 0.5 | 2.0 | 5.0 | 2.5 | ECA2AHG2R2() | 200 | 2000 |
| | 3.3 | 5 | 11 | 31 | 0.08 | 1000 | 0.5 | 2.0 | 5.0 | 2.5 | ECA2AHG3R3() | 200 | 2000 |
| | 4.7 | 5 | 11 | 38 | 0.08 | 1000 | 0.5 | 2.0 | 5.0 | 2.5 | ECA2AHG4R7() | 200 | 2000 |
| | 10 | 6.3 | 11.2 | 54 | 0.08 | 1000 | 0.5 | 2.5 | 5.0 | 2.5 | ECA2AHG100() | 200 | 2000 |
| | 22 | 6.3 | 11.2 | 93 | 0.08 | 1000 | 0.5 | 2.5 | 5.0 | 2.5 | ECA2AHG220() | 200 | 2000 |
| | 33 | 8 | 11.5 | 130 | 0.08 | 1000 | 0.6 | 3.5 | 5.0 | | ECA2AHG330() | 200 | 1000 |
| | 47 | 10 | 12.5 | 165 | 0.08 | 2000 | 0.6 | 5.0 | 5.0 | | ECA2AHG470() | 200 | 500 |
| | 100 | 10 | 20 | 265 | 0.08 | 2000 | 0.6 | 5.0 | 5.0 | | ECA2AHG101() | 200 | 500 |
| | 220 | 12.5 | 25 | 440 | 0.08 | 2000 | 0.6 | 5.0 | 5.0 | | ECA2AHG221() | 200 | 500 |
| | 330 | 16 | 25 | 540 | 0.08 | 2000 | 0.8 | 7.5 | 7.5 | | ECA2AHG331() | 100 | 250 |
| | 470 | 16 | 25 | 715 | 0.08 | 2000 | 0.8 | 7.5 | 7.5 | | ECA2AHG471() | 100 | 250 |
| 1000 | 18 | 35.5 | 985 | 0.08 | 2000 | 0.8 | 7.5 | | | ECA2AHG102 | 50 | | |

· When requesting taped product, please put the letter "B" or "i" between the "()". Lead wire pitch *B=5 mm, 7.5 mm, i=2.5 mm.

· Please refer to the page of "Taping dimensions".

Characteristics list

| Rated voltage (V.DC) | Cap. (±20 %) (μF) | Case size (mm) | | Specification | | | Lead length (mm) | | | Part No. | Min. Packaging Q'ty | | |
|----------------------|-------------------|----------------|------|---|-------------------------|-------------------|------------------|------------|-----------|----------|----------------------|--------------|-----------|
| | | φD | L | Ripple current (120 Hz) (+105 °C) (mA r.m.s.) | tan δ (120 Hz) (+20 °C) | Endurance (hours) | Lead dia. φd | Lead space | | | Straight leads (pcs) | Taping (pcs) | |
| | | | | | | | | Straight | Taping *B | | | | Taping *i |
| 160 | 2.2 | 6.3 | 11.2 | 25 | 0.15 | 2000 | 0.5 | 2.5 | 5.0 | 2.5 | ECA2CHG2R2() | 200 | 2000 |
| | 3.3 | 6.3 | 11.2 | 36 | 0.15 | 2000 | 0.5 | 2.5 | 5.0 | 2.5 | ECA2CHG3R3() | 200 | 2000 |
| | 4.7 | 6.3 | 11.2 | 43 | 0.15 | 2000 | 0.5 | 2.5 | 5.0 | 2.5 | ECA2CHG4R7() | 200 | 2000 |
| | 10 | 10 | 12.5 | 70 | 0.15 | 2000 | 0.6 | 5.0 | 5.0 | | ECA2CHG100() | 200 | 500 |
| | 22 | 10 | 20 | 130 | 0.15 | 2000 | 0.6 | 5.0 | 5.0 | | ECA2CHG220() | 200 | 500 |
| | 33 | 10 | 20 | 180 | 0.15 | 2000 | 0.6 | 5.0 | 5.0 | | ECA2CHG330() | 200 | 500 |
| | 47 | 12.5 | 20 | 220 | 0.15 | 2000 | 0.6 | 5.0 | 5.0 | | ECA2CHG470() | 200 | 500 |
| | 100 | 16 | 25 | 335 | 0.15 | 2000 | 0.8 | 7.5 | 7.5 | | ECA2CHG101() | 100 | 250 |
| | 220 | 16 | 31.5 | 540 | 0.15 | 2000 | 0.8 | 7.5 | | | ECA2CHG221 | 100 | |
| | 330 | 18 | 31.5 | 705 | 0.15 | 2000 | 0.8 | 7.5 | | | ECA2CHG331 | 50 | |
| 200 | 2.2 | 6.3 | 11.2 | 25 | 0.15 | 2000 | 0.5 | 2.5 | 5.0 | 2.5 | ECA2DHG2R2() | 200 | 2000 |
| | 3.3 | 6.3 | 11.2 | 36 | 0.15 | 2000 | 0.5 | 2.5 | 5.0 | 2.5 | ECA2DHG3R3() | 200 | 2000 |
| | 4.7 | 8 | 11.5 | 50 | 0.15 | 2000 | 0.6 | 3.5 | 5.0 | | ECA2DHG4R7() | 200 | 1000 |
| | 10 | 10 | 16 | 80 | 0.15 | 2000 | 0.6 | 5.0 | 5.0 | | ECA2DHG100() | 200 | 500 |
| | 22 | 10 | 20 | 140 | 0.15 | 2000 | 0.6 | 5.0 | 5.0 | | ECA2DHG220() | 200 | 500 |
| | 33 | 12.5 | 20 | 190 | 0.15 | 2000 | 0.6 | 5.0 | 5.0 | | ECA2DHG330() | 200 | 500 |
| | 47 | 12.5 | 20 | 220 | 0.15 | 2000 | 0.6 | 5.0 | 5.0 | | ECA2DHG470() | 200 | 500 |
| | 100 | 16 | 25 | 335 | 0.15 | 2000 | 0.8 | 7.5 | 7.5 | | ECA2DHG101() | 100 | 250 |
| | 220 | 18 | 31.5 | 575 | 0.15 | 2000 | 0.8 | 7.5 | | | ECA2DHG221 | 50 | |
| 250 | 2.2 | 6.3 | 11.2 | 29 | 0.15 | 2000 | 0.5 | 2.5 | 5.0 | 2.5 | ECA2EHG2R2() | 200 | 2000 |
| | 3.3 | 8 | 11.5 | 42 | 0.15 | 2000 | 0.6 | 3.5 | 5.0 | | ECA2EHG3R3 | 200 | 1000 |
| | 4.7 | 8 | 11.5 | 50 | 0.15 | 2000 | 0.6 | 3.5 | 5.0 | | ECA2EHG4R7() | 200 | 1000 |
| | 10 | 10 | 16 | 88 | 0.15 | 2000 | 0.6 | 5.0 | 5.0 | | ECA2EHG100() | 200 | 500 |
| | 22 | 12.5 | 20 | 155 | 0.15 | 2000 | 0.6 | 5.0 | 5.0 | | ECA2EHG220() | 200 | 500 |
| | 33 | 12.5 | 20 | 190 | 0.15 | 2000 | 0.6 | 5.0 | 5.0 | | ECA2EHG330() | 200 | 500 |
| | 47 | 12.5 | 25 | 230 | 0.15 | 2000 | 0.6 | 5.0 | 5.0 | | ECA2EHG470() | 200 | 500 |
| | 100 | 16 | 31.5 | 365 | 0.15 | 2000 | 0.8 | 7.5 | | | ECA2EHG101 | 100 | |
| 350 | 2.2 | 8 | 11.5 | 31 | 0.20 | 2000 | 0.6 | 3.5 | 5.0 | | ECA2VHG2R2() | 200 | 1000 |
| | 3.3 | 10 | 12.5 | 38 | 0.20 | 2000 | 0.6 | 5.0 | 5.0 | | ECA2VHG3R3() | 200 | 500 |
| | 4.7 | 10 | 16 | 50 | 0.20 | 2000 | 0.6 | 5.0 | 5.0 | | ECA2VHG4R7() | 200 | 500 |
| | 10 | 10 | 20 | 82 | 0.20 | 2000 | 0.6 | 5.0 | 5.0 | | ECA2VHG100() | 200 | 500 |
| | 22 | 12.5 | 20 | 130 | 0.20 | 2000 | 0.6 | 5.0 | 5.0 | | ECA2VHG220() | 200 | 500 |
| | 33 | 16 | 25 | 195 | 0.20 | 2000 | 0.8 | 7.5 | 7.5 | | ECA2VHG330() | 100 | 250 |
| | 47 | 16 | 25 | 230 | 0.20 | 2000 | 0.8 | 7.5 | 7.5 | | ECA2VHG470() | 100 | 250 |
| | 100 | 18 | 31.5 | 375 | 0.20 | 2000 | 0.8 | 7.5 | | | ECA2VHG101 | 50 | |

· When requesting taped product, please put the letter "B" or "i" between the "()". Lead wire pitch *B=5 mm, 7.5 mm, i=2.5 mm.

· Please refer to the page of "Taping dimensions".

Characteristics list

| Rated voltage (V.DC) | Cap. (±20 %) (μF) | Case size (mm) | | Specification | | | Lead length (mm) | | | Part No. | Min. Packaging Q'ty | | |
|----------------------|-------------------|----------------|------|---|-------------------------|-------------------|------------------|------------|-----------|----------|----------------------|--------------|-----------|
| | | φD | L | Ripple current (120 Hz) (+105 °C) (mA r.m.s.) | tan δ (120 Hz) (+20 °C) | Endurance (hours) | Lead dia. φd | Lead space | | | Straight leads (pcs) | Taping (pcs) | |
| | | | | | | | | Straight | Taping *B | | | | Taping *i |
| 400 | 2.2 | 8 | 11.5 | 30 | 0.24 | 2000 | 0.6 | 3.5 | 5.0 | | ECA2GHG2R2() | 200 | 1000 |
| | 3.3 | 10 | 12.5 | 40 | 0.24 | 2000 | 0.6 | 5.0 | 5.0 | | ECA2GHG3R3() | 200 | 500 |
| | 4.7 | 10 | 16 | 50 | 0.24 | 2000 | 0.6 | 5.0 | 5.0 | | ECA2GHG4R7() | 200 | 500 |
| | 10 | 10 | 20 | 80 | 0.24 | 2000 | 0.6 | 5.0 | 5.0 | | ECA2GHG100() | 200 | 500 |
| | 22 | 12.5 | 25 | 145 | 0.24 | 2000 | 0.6 | 5.0 | 5.0 | | ECA2GHG220() | 200 | 500 |
| | 33 | 16 | 25 | 195 | 0.24 | 2000 | 0.8 | 7.5 | 7.5 | | ECA2GHG330() | 100 | 250 |
| | 47 | 16 | 31.5 | 250 | 0.24 | 2000 | 0.8 | 7.5 | | | ECA2GHG470 | 100 | |
| 450 | 2.2 | 10 | 12.5 | 29 | 0.24 | 2000 | 0.6 | 5.0 | 5.0 | | ECA2WHG2R2() | 200 | 500 |
| | 3.3 | 10 | 16 | 41 | 0.24 | 2000 | 0.6 | 5.0 | 5.0 | | ECA2WHG3R3() | 200 | 500 |
| | 4.7 | 10 | 20 | 49 | 0.24 | 2000 | 0.6 | 5.0 | 5.0 | | ECA2WHG4R7() | 200 | 500 |
| | 10 | 12.5 | 20 | 75 | 0.24 | 2000 | 0.6 | 5.0 | 5.0 | | ECA2WHG100() | 200 | 500 |
| | 22 | 16 | 25 | 115 | 0.24 | 2000 | 0.8 | 7.5 | 7.5 | | ECA2WHG220() | 100 | 250 |
| | 33 | 16 | 31.5 | 155 | 0.24 | 2000 | 0.8 | 7.5 | | | ECA2WHG330 | 100 | |

· When requesting taped product, please put the letter "B" or "i" between the "()". Lead wire pitch *B=5 mm, 7.5 mm, i=2.5 mm.

· Please refer to the page of "Taping dimensions".

Mouser Electronics

Authorized Distributor

Click to View Pricing, Inventory, Delivery & Lifecycle Information:

Panasonic:

[ECA-0JHG101](#) [ECA-0JHG102](#) [ECA-0JHG103](#) [ECA-0JHG153](#) [ECA-0JHG221](#) [ECA-0JHG222](#) [ECA-0JHG223](#)
[ECA-0JHG331](#) [ECA-0JHG332](#) [ECA-0JHG471](#) [ECA-0JHG472](#) [ECA-0JHG682](#) [ECA-1CHG332](#) [ECA-1CHG470](#) [ECA-1CHG471](#) [ECA-1CHG472](#) [ECA-1CHG682](#) [ECA-1AHG153](#) [ECA-1AHG221](#) [ECA-1AHG222](#) [ECA-1AHG331](#) [ECA-1AHG332](#) [ECA-1AHG471](#) [ECA-1AHG472](#) [ECA-1AHG682](#) [ECA-1AHG101](#) [ECA-1AHG102](#) [ECA-1AHG103](#) [ECA-1EHG101](#) [ECA-1HHG100](#) [ECA-1HHG100B](#) [ECA-1HHG101](#) [ECA-1HHG101B](#) [ECA-1HHG102](#) [ECA-1HHG220](#) [ECA-1HHG220B](#) [ECA-1HHG221](#) [ECA-1HHG221B](#) [ECA-1HHG222](#) [ECA-1HHG2R2](#) [ECA-1HHG330](#) [ECA-1HHG330I](#) [ECA-1HHG331](#) [ECA-1HHG332](#) [ECA-1HHG3R3](#) [ECA-1HHG470](#) [ECA-1HHG470B](#) [ECA-1HHG470I](#) [ECA-1JHG102](#) [ECA-1JHG220](#) [ECA-1JHG221](#) [ECA-1JHG222](#) [ECA-1JHG330](#) [ECA-1JHG331](#) [ECA-1JHG470](#) [ECA-1JHG471](#) [ECA-2AHG330](#) [ECA-2AHG331](#) [ECA-2AHG3R3](#) [ECA-2AHG470](#) [ECA-2AHG471](#) [ECA-2AHG471B](#) [ECA-2AHG4R7](#) [ECA-2DHG100](#) [ECA-2DHG101](#) [ECA-1CHG101](#) [ECA-1CHG102](#) [ECA-1CHG103](#) [ECA-1CHG221](#) [ECA-1CHG222](#) [ECA-1CHG331](#) [ECA-1JHG100](#) [ECA-1JHG101](#) [ECA-2AHG100](#) [ECA-2AHG101](#) [ECA-2AHG102](#) [ECA-2AHG220](#) [ECA-2AHG220B](#) [ECA-2AHG221](#) [ECA-2AHG2R2](#) [ECA-1EHG102](#) [ECA-1EHG102B](#) [ECA-1EHG221](#) [ECA-1EHG221B](#) [ECA-1EHG222](#) [ECA-1EHG222B](#) [ECA-1EHG331](#) [ECA-1EHG332](#) [ECA-1EHG470](#) [ECA-1EHG470B](#) [ECA-1EHG471](#) [ECA-1EHG471B](#) [ECA-1EHG472](#) [ECA-1EHG682](#) [ECA-1VHG221](#) [ECA-1VHG221B](#) [ECA-1VHG222](#) [ECA-1VHG330](#) [ECA-1VHG331](#) [ECA-1VHG332](#)